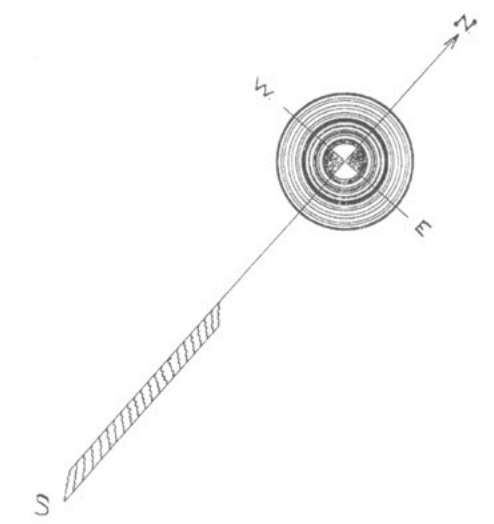


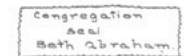
**BETH ABRAHAM CONGREGATION
CEMETERY.**
BALDWIN ALLEGHENY
TOWNSHIP, COUNTY,
PENNSYLVANIA.

JUNE 1904. S.H. Ralston & Son
Surveyors and Engineers

RECORDED, JUNE, 21ST 1904.
J.D. O'NEIL,
RECORDER.



We hereby adopt this plan of lots as ours.
attest
Edel Slabodsky, President. (Seal)
Jos. Seiger, Secretary.



State of Pennsylvania, } ss.
County of Allegheny. }
On the 21ST day of June, Anno Domini 1904 before me the subscriber a notary Public in and for said County and state, personally appeared Jos Seiger, Secretary of the said Corporation who being duly sworn according to law, says that he was personally present at the execution of the above Indenture and saw the common or corporate seal of the said Corporation duly affixed thereto, that the seal so affixed thereto is the Common or corporate seal of the said Corporation, that the above Indenture was duly sealed and delivered by Edel Slabodsky, President of the said corporation, as and for the act and deed of the said Corporation, for the uses and purposes therein mentioned, and that the names of this deponent as secretary and of Edel Slabodsky as President of said Corporation, subscribed to the above Indenture in attestation of its due execution and delivery, are of their and each of their respective handwritings.
Sworn and subscribed before me, the day and year aforesaid. Witness my hand and material seal.
Thos. & Aten Notary Public. (Seal)
my Commission Expires April, 24TH 1905

